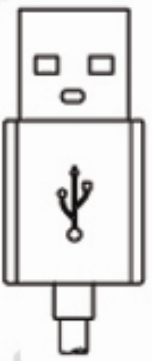
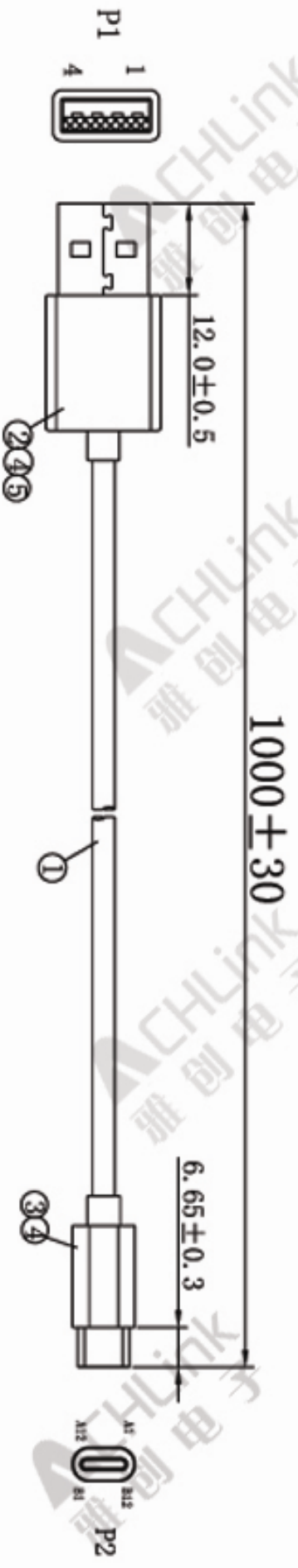


REV	DESCRIPTION	DATE



P1	P2
1 Red	A4, B4, A9, B9
2 White	A7
3 Green	A6
4 Black	A1, B1, A12, B12

1. TESTING CONDITIONS:  
 A. 100% QC OPEN SHORT & MISS WIRING TEST  
 B. INSULATION RESISTANCE: DC300V 5Mohm MIN  
 C. CONDUCTOR RESISTANCE 3ohm Max

Mould No. : P1: B266/ B223 P2: B267

⑧	IPC	Carton 460*300*250mm	F06-403025-001
⑦	IPC	PE Transparent Heat Sealing Plastic Bags : 270*350*0.05mm	F05-273505-002
⑥	IPC	Ordinary band white	F01-080000-004
⑤	A/R	PVC 45P-R0 White	P2-1500-001
④	A/R	PVC 45P-R0 White	P1-0445-001
③	IPC	USB Type-C with PCB Board 2.0 Stretching	C211-0204-010
②	IPC	USB 2.0 AM Short body white rubber core	C241-0405-001
①	IPC	NO-412725#30*2C (7/0.10BC) +28*2C(17/0.10BC) L=1000mm	X275-041238-641

NO	Design	Description	Part No	APPROVED:	CHECKED:	DRAWN:	UNIT	REV	CUSTOMER NO:	PRODUCT NO:	DESCRIPTION
							mm	A/0			

UNLESS OTHERWISE SPECIFIED TOLERANCE

**ACH** YACHING TECHNOLOGY HOLDINGS LIMITED  
 TEL: 0755-88210101/FAX: 0755-88210123

ORGAN NAME: USB2.0 AM TO Type-C M L-1000mm  
 PRODUCT NO:  
 CUSTOMER P/N: