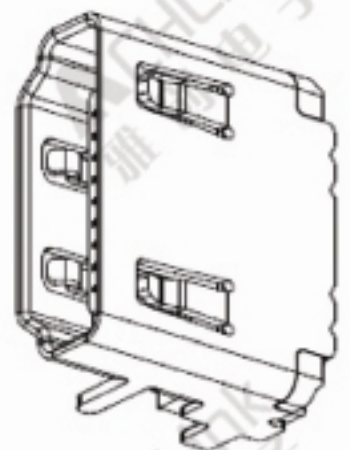
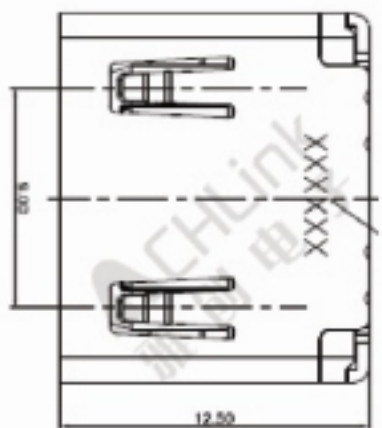


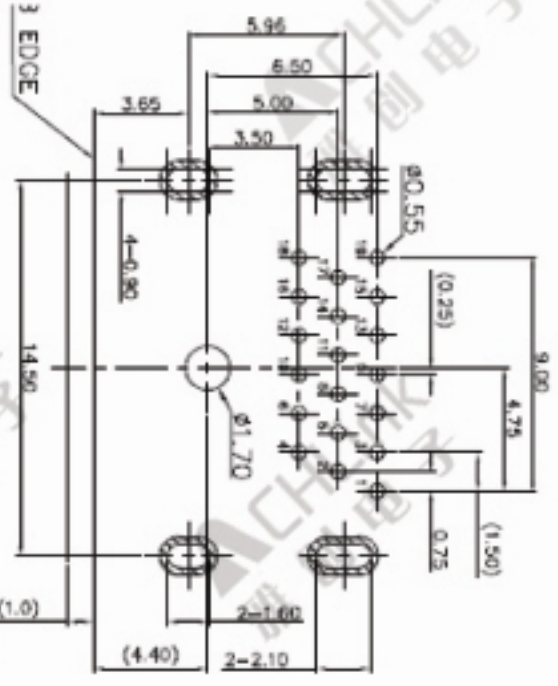
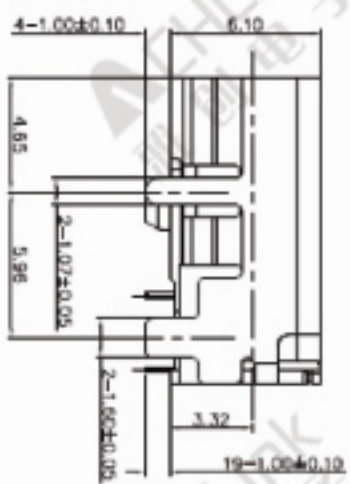
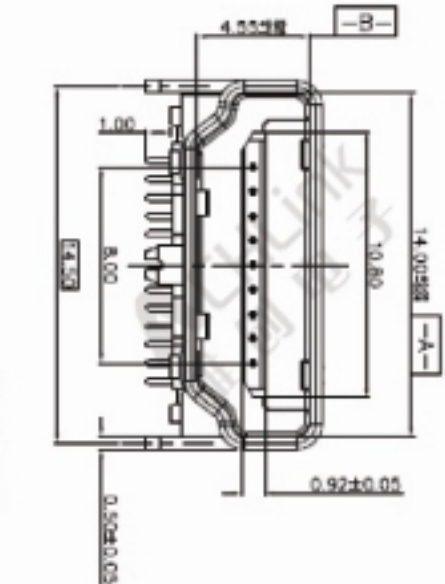
版次	修改内容	日期



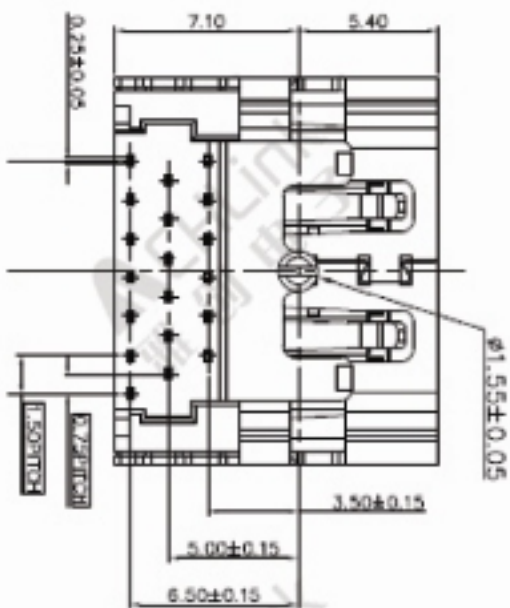
3D VIEW

NOTES:

1. MATERIAL SPECIFICATION
- 1-1. HOUSING: LCP+30% G.F U.94 V-0. COLOR: BLACK.
- 1-2. CONTACT: COPPER ALLOY C2680R-H T=0.20mm.
- 1-3. SHELL: STAINLESS STEEL (SUS304R-1/2H T=0.50mm).
2. PLATING SPECIFICATION
- 2-1. CONTACT: NI50 μ'' UNDER PLATED, GOLD FLASH PLATED ON THE FUNCTIONAL AREA OF CONTACT, GOLD PLATING OR TIN ON SOLDER AREA.



RECOMMENDED PCB LAYOUT(TOP VIEW)
(TOLERANCE=±0.03mm)



APPROVED: _____
CHECKED: _____
DRAWN: _____

UNLESS OTHERWISE SPECIFIED TOLERANCE
X.X ±0.20
X.XX ±0.15
X.XXX ±0.05

UNIT	REV	CUSTOMER NO:	PRODUCT NO:	CUSTOMER P/N:
1CY	2016-08-31	X.XXX	±0.05	
mm	A/0			

ACH 雅创电子有限公司
ACH ELECTRONICS CO., LTD

TEL: 0755-88219101 FAX: 0755-88210129
HDMI A 19pin母座 0.50 Pitch.
板高6.10mm